
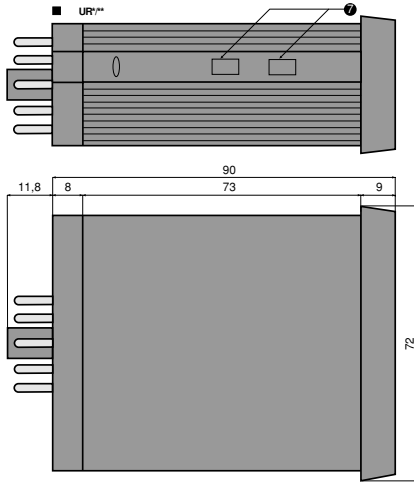
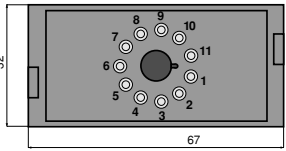
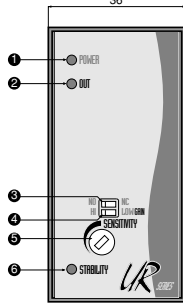
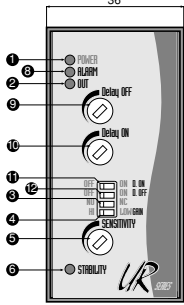



2.1

| SERIE | UR |
|--|----|
|  | |
| Photoelectric sensors with relay output for harsh environment - DC | |
| <ul style="list-style-type: none"> ◆ System includes control unit and miniature sensors (DGE-DGR) ◆ Photoelectric sensors IP68 for applications in harsh environment ◆ Supply voltage AC or DC ◆ Relay output and relay alarm output ◆ Double timer with independent adjustments ◆ Sensitivity adjustment ◆ Complete protection against electrical damage ◆ Alignment (stability), supply voltage, alarm and output state LED indicators ◆ Selectable gain level (HI-LO) ◆ Possibility of mounting on panel ◆ Sensing distance 60m (HI), 30m (LO) | |

DIMENSIONAL DRAWING

Key

- 1 Green LED (supply)
- 2 Red LED (output state)
- 3 NO/NC output selection (Dip-switch)
- 4 Gain level selection (Dip-switch)
- 5 Sensitivity adjustment trimmer
- 6 Green LED (stability)
- 7 Fixing slots for mounting on panel using included brackets
- 8 Red LED (alarm)
- 9 Delay OFF adjustment trimmer
- 10 Delay ON adjustment trimmer
- 11 Delay ON (on/off) Dip-switch selection
- 12 Delay OFF (on/off) Dip-switch selection

Holes dimensions for mounting on panel (68x33mm)
 Undecal socket (STZ3) supplied separately



Control unit UR

Control unit with UNDECAL socket (DIN rail mounting possible), is available in DC or AC voltage, relay output, with or without timer function. The unit allows the mounting of miniature pair of sensors suitable for very harsh environments (DG serie).

Timer function

Timer function, selectable by the frontal dip-switch panel and correspondent trimmer, is available with energizing delay, de-energizing delay or both.

LED indicators

output state, supply voltage and alarm output

Sensitivity adjustment

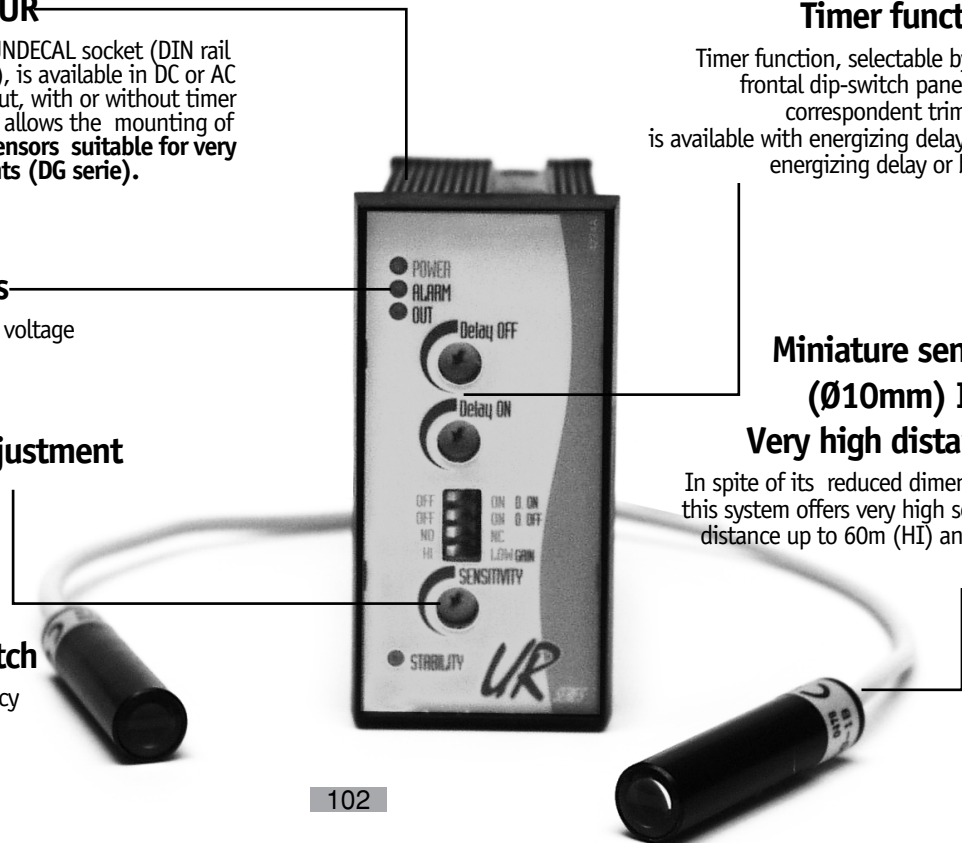
Miniature sensors (Ø10mm) IP68

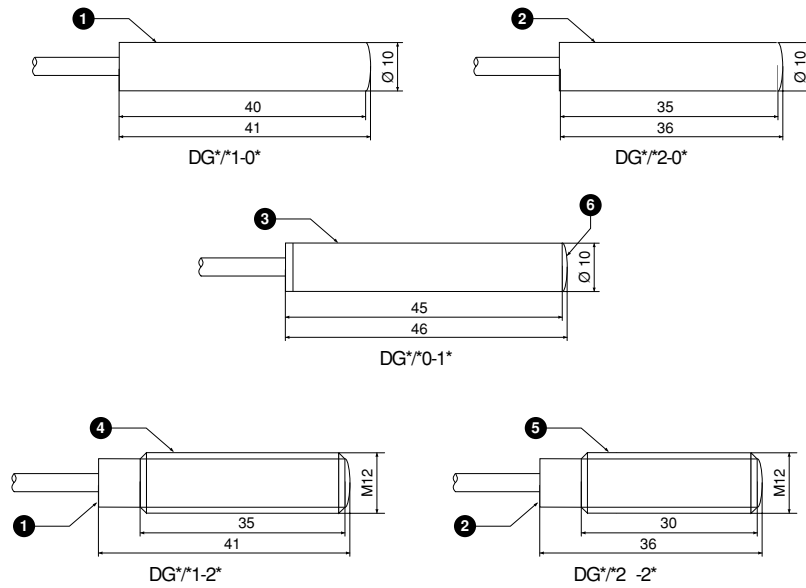
Very high distances

In spite of its reduced dimensions, this system offers very high sensing distance up to 60m (HI) and 30m (LO).

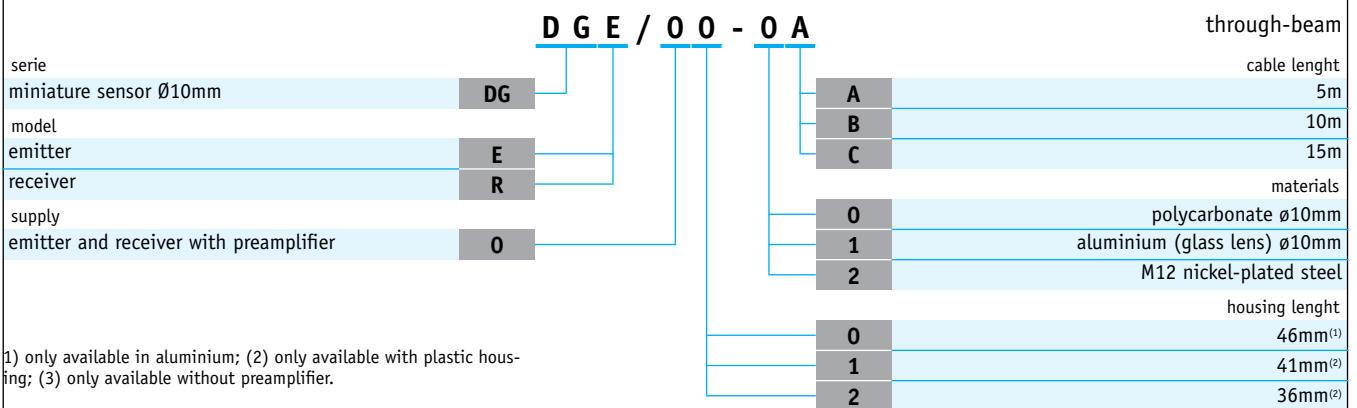
Gain selection Dip-switch

For the greatest regulation accuracy and for selection of suitable functioning system (30-60m).



DIMENSIONAL DRAWING

Key

- 1** Polycarbonate housing and lens 41mm
 - 2** Polycarbonate housing and lens 36mm
 - 3** Metal housing 46mm (black anadized aluminium)
 - 4** M12 Metal housing 41mm
 - 5** M12 Metal housing 36mm
 - 6** Glass lens
- Cable 1x0,14mm² + shield, Ø3,1mm, PVC (**DGR**)
 Cable 2x0,22mm², Ø3,75mm, PVC (**DGE**)

ORDERING SYSTEM


| SPECIFICATIONS | | | | | | |
|--------------------------------|------------------|--------------------|---------------|--------------------|--------------------|-----------|
| Model | DG*/*1-0* | DG*/*2-0* | DG*/*3-0* | DG*/*0-1* | DG*/*1-2* | DG*/*2-2* |
| Housing length | 41mm | 36mm | 25mm | 46mm | 41mm | 36mm |
| Sensing distance | 75m | 32m | not available | 60m | 75m | 32m |
| Emission | infrared (880nm) | | | | | |
| Operating voltage | from UR unit | | | | | |
| Beam angle | ±5°* | ±10°* | not available | ±5°* | ±5°* | ±10°* |
| Interference to external light | 20000 lux | | | | | |
| Temperature range | -20°...+60°C | | | | | |
| Protection degree (DIN 40 050) | IEC IP67 | | | | | |
| Housing type | ø10mm | | | | M12 | |
| Housing material | polycarbonate | | | anodized aluminium | nickel-plate steel | |
| Lens material | glass | polycarbonate (PC) | | | glass | PC |
| Cable exit material | PVC | | | | | |

(1) see characteristic curves

